

# ***Ionizing Curtain Transvector***

## ***Lame d'Aria Ionizzanti***



### **Air Knives Deliver Flat Sheet of Amplified Air**

**Curtain Transvector Air Knives efficiently blowoff wide surfaces of debris as well as provide high speed drying for a broad range of industrial applications. Ionizing Curtain Transvectors add a Static Neutralizing Bar to kill static cling and discharge dust and particles for blowoff.**

### **Applications**

Since Curtain Transvectors are air amplifiers, they use a small amount of compressed air to deliver a powerful, high velocity, laminar sheet of air over wide areas, moving webs, sheets, film, strips, auto bodies and other large

assemblies and objects. Our patented design produces increased thrust and velocity, reduced noise, excellent uniformity and significantly outperforms any competing, wide blowoff device. Stainless steel models are ideal for food, pharmaceutical, chemical and other applications where purity, high temperature or corrosive environments are concerned.

Curtain Transvectors, as well as the Ionizing versions, have numerous and diverse processing, finishing, fabrication, assembly, and other industrial uses for cooling, drying, cleaning or static removal on wide surfaces.

### **Features and Benefits**

- Fraction of the cost of fans and blowers
- No guards or rotating machinery
- Instant on/off
- Provides uniform blowoff for wide or long surfaces
- Increases airflow with reduced consumption
- Range of lengths available
- Compact and easily mounted
- No moving parts - Maintenance free
- Aluminium or stainless steel models
- Ionizing option eliminates static
- Quiet - Meets OSHA noise specifications
- Output air is easily regulated

### **Uses**

- Printing and labeling
- Converting and packaging
- Films and laminating
- Form and fill
- Sheet and web materials
- Conveying or hold down
- Food processing
- Paint preparation and drying

**Vortex Italia - Via Dante, 83 - 20811 Cesano Maderno (MB)**

**Tel: +39 0362 54 56 45 - Fax: +39 0362 60 99 62**

**Website: <http://www.vortexitalia.com> - E-mail: [info@vortexitalia.com](mailto:info@vortexitalia.com)**

# Ionizing Curtain Transvector

Air Knives deliver flat sheet of amplified air.

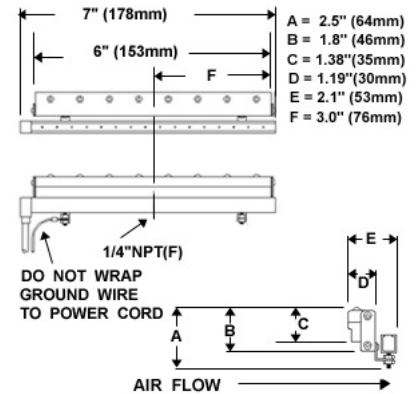
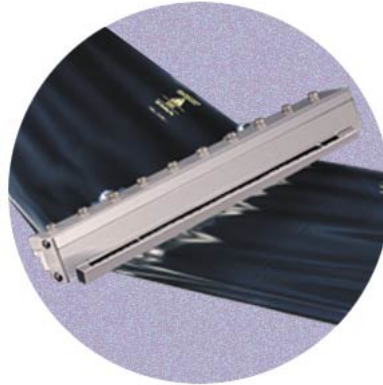
## 981-6: Ionizing Curtain Transvector (152 mm)

Length: 6 " (152 mm.)

Test pressure: 50 psig (3.4 bars)

Airflow: 35 scfm (990 l/min)

Inlet BSP(F): 1/4 " (6.4 mm.)



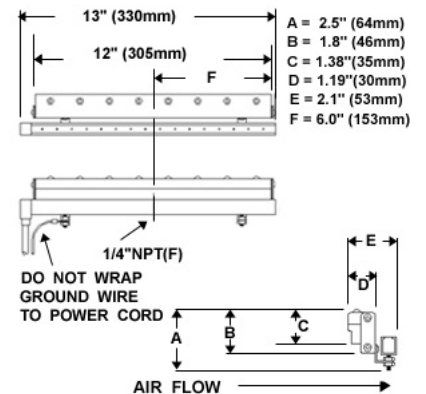
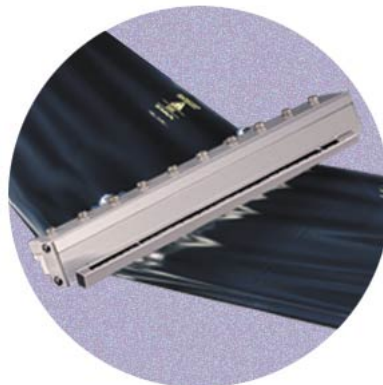
## 981-12: Ionizing Curtain Transvector (305 mm)

Length: 12 " (305 mm.)

Test pressure: 50 psig (3.4 bars)

Airflow: 35 scfm (990 l/min)

Inlet BSP(F): 1/4 " (6.4 mm.)



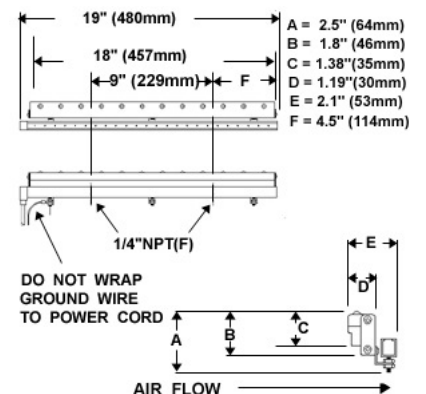
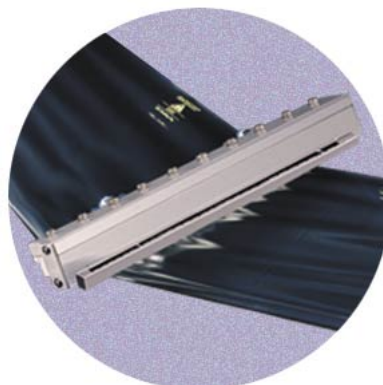
## 981-18: Ionizing Curtain Transvector (457 mm)

Length: 18 " (460 mm.)

Test pressure: 50 psig (3.4 bars)

Airflow: 52 scfm (1470 l/min)

Inlets BSP(F) (2): 1/4 " (6.4 mm.)



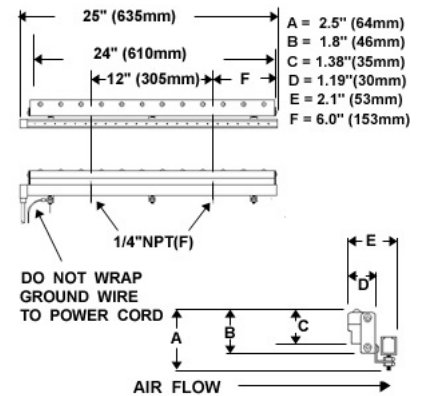
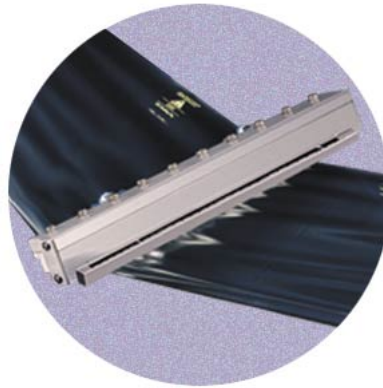
## 981-24: Ionizing Curtain Transvector (610 mm)

Length: 24 " (610 mm.)

Test pressure: 50 psig (3.4 bars)

Airflow: 70 scfm (1980 l/min)

Inlets BSP(F) (2): 1/4 " (6.4 mm.)

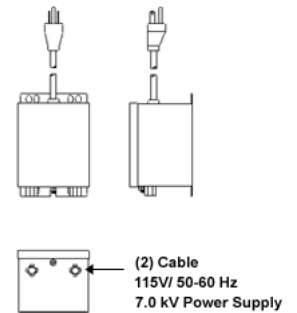


## F167: 2 cable Power Supply (AC 7.0 kV)

115 V

50-60 Hz

AC: 7.0 kV



## D167RY: 4 cable Power Supply (AC 7.0 kV)

115 V

50-60 Hz

AC: 7.0 kV

